

MA-29

20 mA Current loop converter



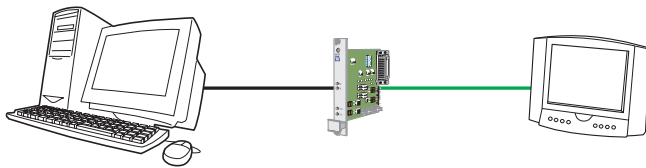
- ❑ Conversion between 20 mA current loop and RS-232
- ❑ Galvanic isolation (with passive receiver)
- ❑ Transient suppression
- ❑ Code independent/transparent
- ❑ Ensures communication over long distances and in environments with high levels of interference
- ❑ Reliable performance and function

Field of application

MA-29 is used in point-to-point applications where interface conversion from a 20 mA current loop to RS-232 is required to permit communication between different devices. In some cases the converters are used for connection in loops, these are then limited to a total of 6 connected devices.

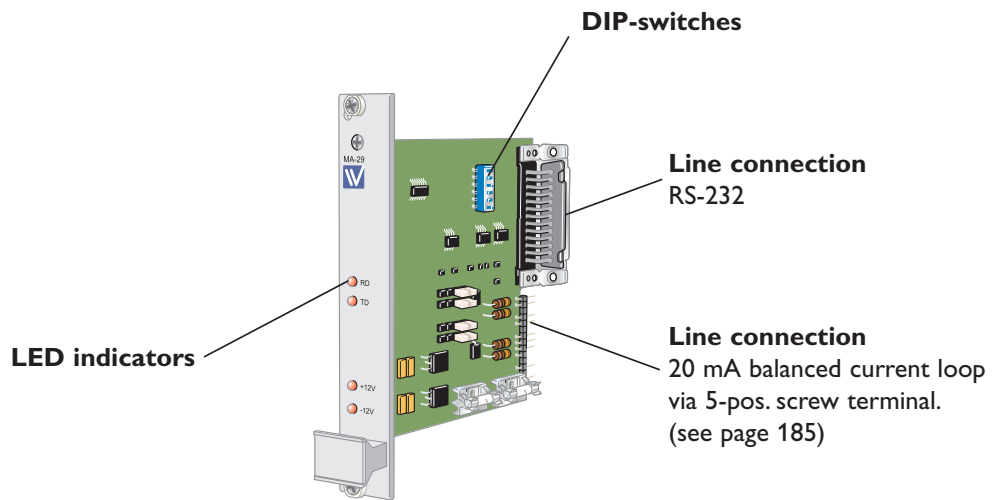
The converter can be set "active" to supply the line with current or "passive" depending on how the connected device is configured. Data rates up to 19.2 kbit/s and transmission ranges up to 6 km (3.73 mi) are possible depending on the data rate. MA-29 is designed for installation in the Westermo rack (RV-01) which save space when many converters are installed in the same location, for example, in a data processing centre.

Application



Also see application on page 55

Interface



Mechanical

Dimensions (H x D)	100 x 100 mm (3.94 x 3.94 in)
Weight	0.1 kg (0.22 lb)
Assembly	Rack

Power

	RV-01 via PS-02
Rated current	40 mA
Connection	PS-02